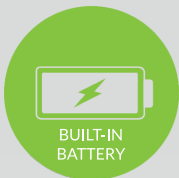


MA-815BS

Milk Analyser with Stirrer

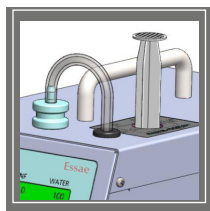
Essae[®]
...for Excellence

Experience Precision with Portability





Bright GREEN LCD Display



Manual Cleaning



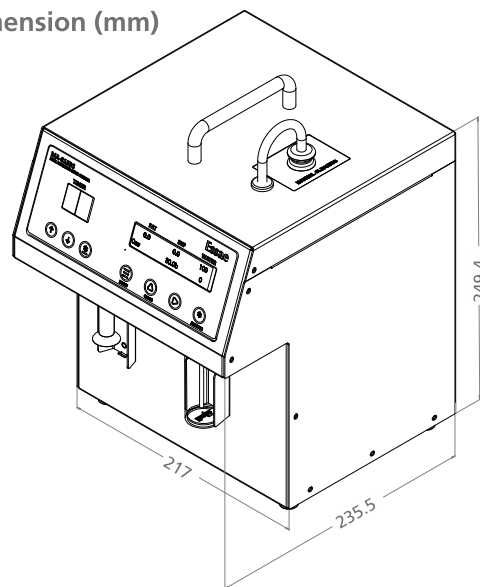
Rear Connector

Technical Specification

Model	MA-815BS
Technology	Ultrasonic Sensor
Measuring Time	38 sec @ 30° C Milk Temperature
Milk Acidity	<25° T (Degree Thorn)
Milk Measuring Temperature	0 ~ 40° C
Milk Sample Volume	25 ml
Display	2 x 20 Character LCD Display
Keyboard	4 Keys
Interface	1 x RS-232 Serial with Cable
Cleaning	Manual & Auto
Weight	4.7 kg
Housing MOC	SS-304
Power	
External AC/DC Power	18.5V DC / 3.2A, 60W
Power Consumption	40 W Maximum
Battery Backup	250 Cycles Operation
Stirrer	
Technology	Destructive Type Ultrasonic
Display	2 Digits 7 Segment Green LED
Key	3 Keys
Frequency	12 ~ 22 kHz
Timer	5 ~ 45 sec
Stirrer Vibrator	Ball Type (SS-304)

Parameter	Range	Resolution	Accuracy
Fat	0.5 ~ 15 %	0.1 %	+/- 0.1 %
SNF	3 ~ 15 %	0.1 %	+/- 0.2 %
Added Water	0 ~ 100 %	1 %	+/- 3 %
CLR	20 ~ 40	0.5	+/- 1
Lactose	1 ~ 8 %	0.1 %	+/- 0.2 %
Protein	1 ~ 6 %	0.1 %	+/- 0.2 %
Salt	0.2 ~ 1.5 %	0.1 %	+/- 0.2 %

Dimension (mm)



Form No. : 27707-CAT-MA-815BS-100 R00

Essae-Teraoka Pvt. Ltd.

410, 100ft Road, 4th Block,
Koramangala, Bengaluru-560 034

info@essae.com

http://www.essae.com

+91 80 2511 3021

1-800-425-3111

0-78488 12346



Your Essae representative

